

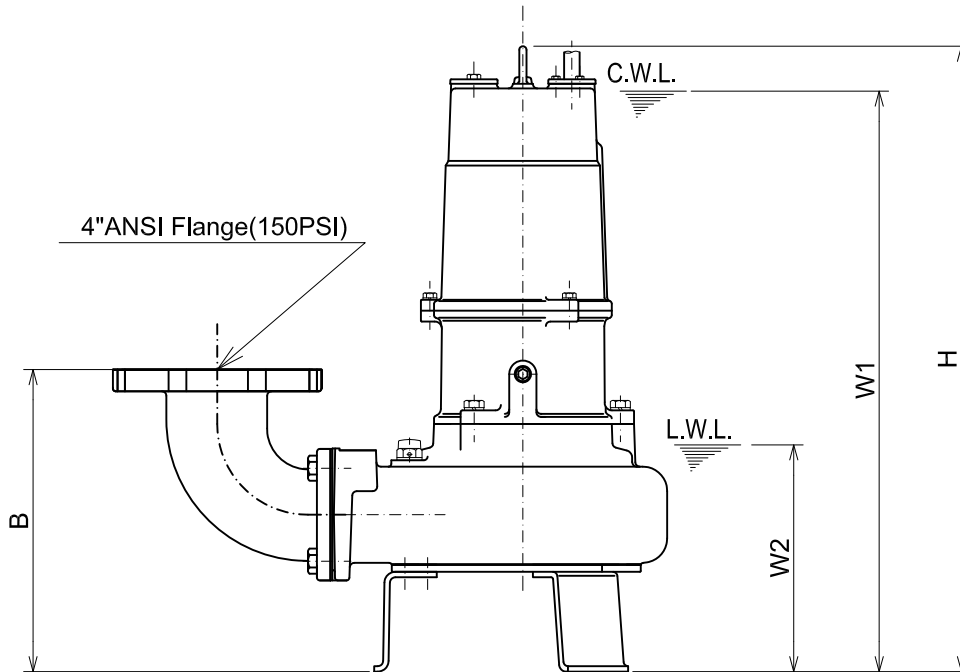
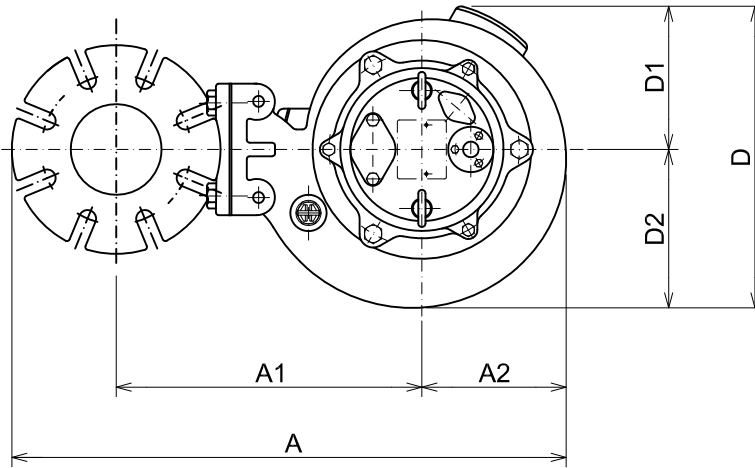


**B-SERIES**  
**SEWAGE & WASTEWATER PUMPS**

**DIMENSIONS**

**100B42.2 -62**  
**100B43.7 -62**  
**100B43.7H -63**

Bend model:  
BEND80-100 ANSI



C.W.L. :Continuous running Water Level  
L.W.L. :Lowest running Water Level

**DIMENSIONS:USCS(Inch)**

Model	HP	NOM. SIZE	Pump & Motor								C.W.L.	L.W.L.	*Wt. (lbs.)
			A	A1	A2	B	D	D1	D2	H			
100B42.2 -62	3	4"	24 1/4	13 11/16	6 1/16	12 15/16	12 3/4	6 1/4	6 9/16	24 1/4	22 1/2	8 7/8	148
100B43.7 -62	5	4"	24 7/16	13 11/16	6 1/4	13 3/16	13 1/8	6 1/4	6 7/8	27 3/16	25 3/8	9 1/4	183
100B43.7H -63	5	4"	24 1/2	13 11/16	6 5/16	12 15/16	13 9/16	6 5/8	6 7/8	26 1/4	24 3/8	8 7/8	179

**DIMENSIONS:METRIC(mm)**

\*Excluding Cable.

Model	kW	NOM. SIZE	Pump & Motor								C.W.L.	L.W.L.	*Wt. (kg)
			A	A1	A2	B	D	D1	D2	H			
100B42.2 -62	2.2	100	616	347	154	329	324	158	166	616	570	225	67
100B43.7 -62	3.7	100	621	347	159	334	333	158	175	690	645	235	83
100B43.7H -63	3.7	100	623	347	161	329	344	169	175	666	620	225	81

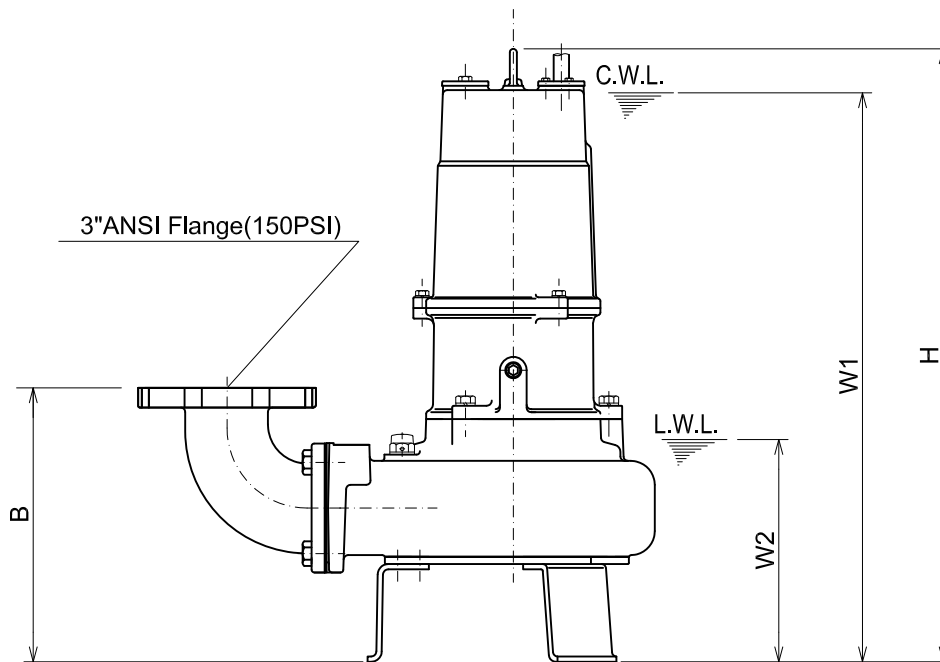
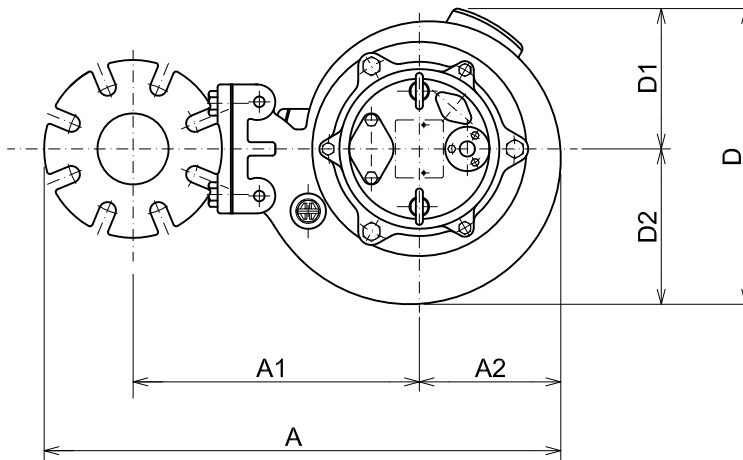


**B-SERIES**  
**SEWAGE & WASTEWATER PUMPS**

**DIMENSIONS**

100B42.2 -62 (3"Dis.)  
100B43.7 -62 (3"Dis.)  
100B43.7H -63 (3"Dis.)

Bend model:  
BEND80-80 ANSI



C.W.L. :Continuous running Water Level  
L.W.L. :Lowest running Water Level

**DIMENSIONS:USCS(Inch)**

Model	HP	NOM. SIZE	Pump & Motor								C.W.L.	L.W.L.	*Wt. (lbs.)
			A	A1	A2	B	D	D1	D2	H			
100B42.2 -62	3	3"	23 1/16	13 1/16	6 1/16	11 15/16	12 3/4	6 1/4	6 9/16	24 1/4	22 1/2	8 7/8	146
100B43.7 -62	5	3"	23 5/16	13 1/16	6 1/4	12 3/16	13 1/8	6 1/4	6 7/8	27 3/16	25 3/8	9 1/4	181
100B43.7H -63	5	3"	23 3/8	13 1/16	6 5/16	11 15/16	13 9/16	6 5/8	6 7/8	26 1/4	24 3/8	8 7/8	176

**DIMENSIONS:METRIC(mm)**

Model	kW	NOM. SIZE	Pump & Motor								C.W.L.	L.W.L.	*Wt. (kg)
			A	A1	A2	B	D	D1	D2	H			
100B42.2 -62	2.2	80	586	332	154	304	324	158	166	616	570	225	66
100B43.7 -62	3.7	80	592	332	159	309	333	158	175	690	645	235	82
100B43.7H -63	3.7	80	593	332	161	304	344	169	175	666	620	225	80

\*Excluding Cable.

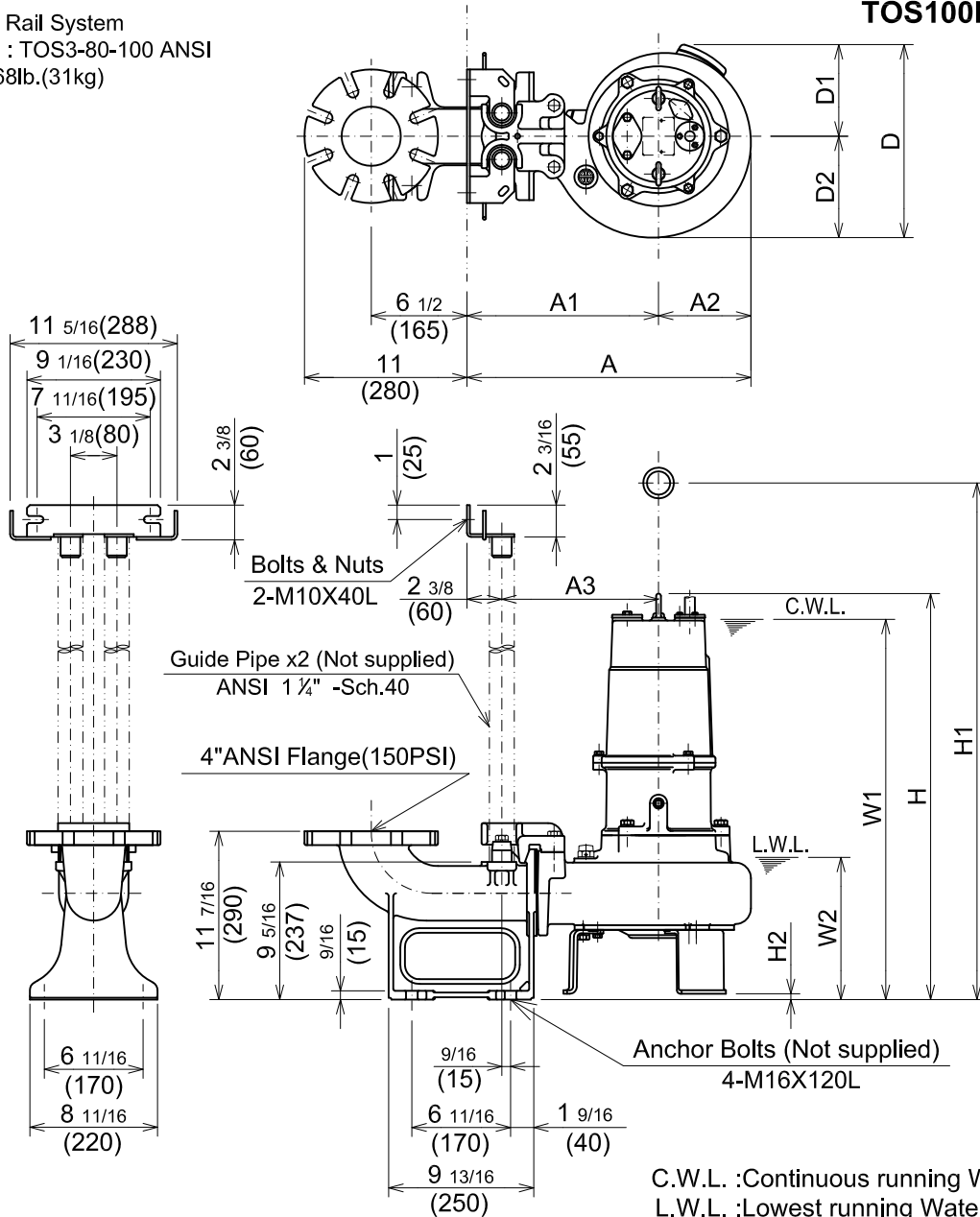


**B-SERIES**  
SEWAGE & WASTEWATER PUMPS

**DIMENSIONS**

**TOS100B42.2 -62**  
**TOS100B43.7 -62**  
**TOS100B43.7H -63**

Guide Rail System  
Model : TOS3-80-100 ANSI  
Wt. : 68lb.(31kg)



**DIMENSIONS:USCS(Inch)**

Model	HP	NOM. SIZE	Pump & Motor										C.W.L.	L.W.L.	*Wt. (lbs.)
			A	A1	A2	A3	D	D1	D2	H	H1	H2			
TOS100B42.2 -62	3	4"	19 1/16	13	6 1/16	10 5/8	12 3/4	6 1/4	6 9/16	24 13/16	29 5/8	9/16	23	9 1/2	141
TOS100B43.7 -62	5	4"	19 1/4	13	6 1/4	10 5/8	13 1/8	6 1/4	6 7/8	27 9/16	32 5/16	3/8	25 3/4	9 5/8	176
TOS100B43.7H -63	5	4"	19 5/16	13	6 5/16	10 5/8	13 9/16	6 5/8	6 7/8	26 13/16	31 9/16	9/16	25	9 1/2	172

**DIMENSIONS:METRIC(mm)**

Model	kW	NOM. SIZE	Pump & Motor										C.W.L.	L.W.L.	*Wt. (kg)
			A	A1	A2	A3	D	D1	D2	H	H1	H2			
TOS100B42.2 -62	2.2	100	484	330	154	270	324	158	166	631	752	15	585	240	64
TOS100B43.7 -62	3.7	100	489	330	159	270	333	158	175	700	821	10	655	245	80
TOS100B43.7H -63	3.7	100	491	330	161	270	344	169	175	681	802	15	635	240	78

\*Excluding TOS & Cable.

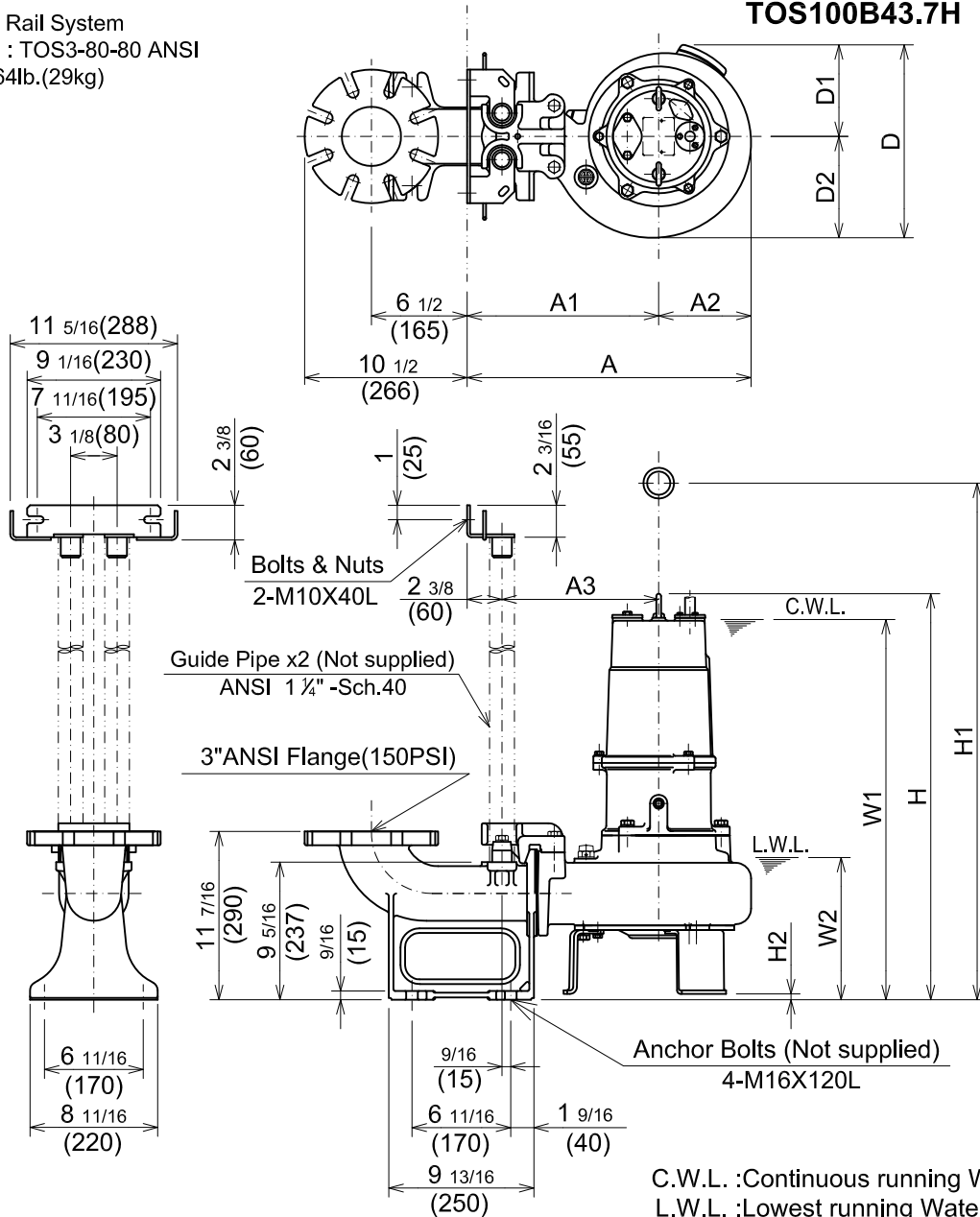


**B-SERIES**  
SEWAGE & WASTEWATER PUMPS

**DIMENSIONS**

Guide Rail System  
Model : TOS3-80-80 ANSI  
Wt. : 64lb.(29kg)

TOS100B42.2 -62 (3"Dis.)  
TOS100B43.7 -62 (3"Dis.)  
TOS100B43.7H -63 (3"Dis.)



**DIMENSIONS:USCS(Inch)**

Model	HP	NOM. SIZE	Pump & Motor										C.W.L.	L.W.L.	*Wt. (lbs.)
			A	A1	A2	A3	D	D1	D2	H	H1	H2			
TOS100B42.2 -62	3	3"	19 1/16	13	6 1/16	10 5/8	12 3/4	6 1/4	6 9/16	24 13/16	29 5/8	9/16	23	9 1/2	141
TOS100B43.7 -62	5	3"	19 1/4	13	6 1/4	10 5/8	13 1/8	6 1/4	6 7/8	27 9/16	32 5/16	3/8	25 3/4	9 5/8	176
TOS100B43.7H -63	5	3"	19 5/16	13	6 5/16	10 5/8	13 9/16	6 5/8	6 7/8	26 13/16	31 9/16	9/16	25	9 1/2	172

**DIMENSIONS:METRIC(mm)**

Model	kW	NOM. SIZE	Pump & Motor										C.W.L.	L.W.L.	*Wt. (kg)
			A	A1	A2	A3	D	D1	D2	H	H1	H2			
TOS100B42.2 -62	2.2	80	484	330	154	270	324	158	166	631	752	15	585	240	64
TOS100B43.7 -62	3.7	80	489	330	159	270	333	158	175	700	821	10	655	245	80
TOS100B43.7H -63	3.7	80	491	330	161	270	344	169	175	681	802	15	635	240	78

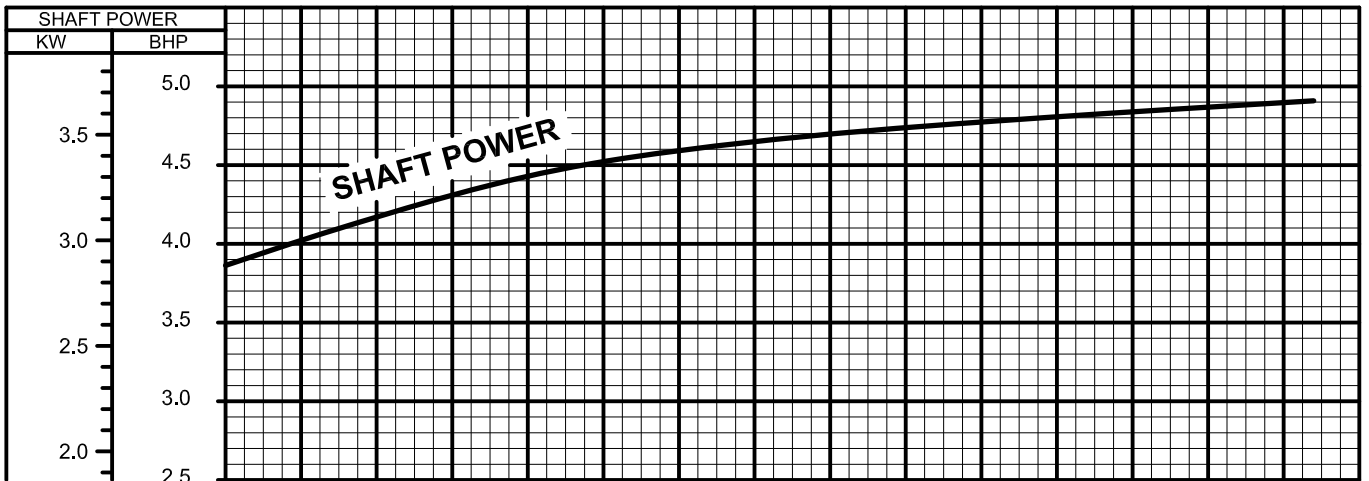
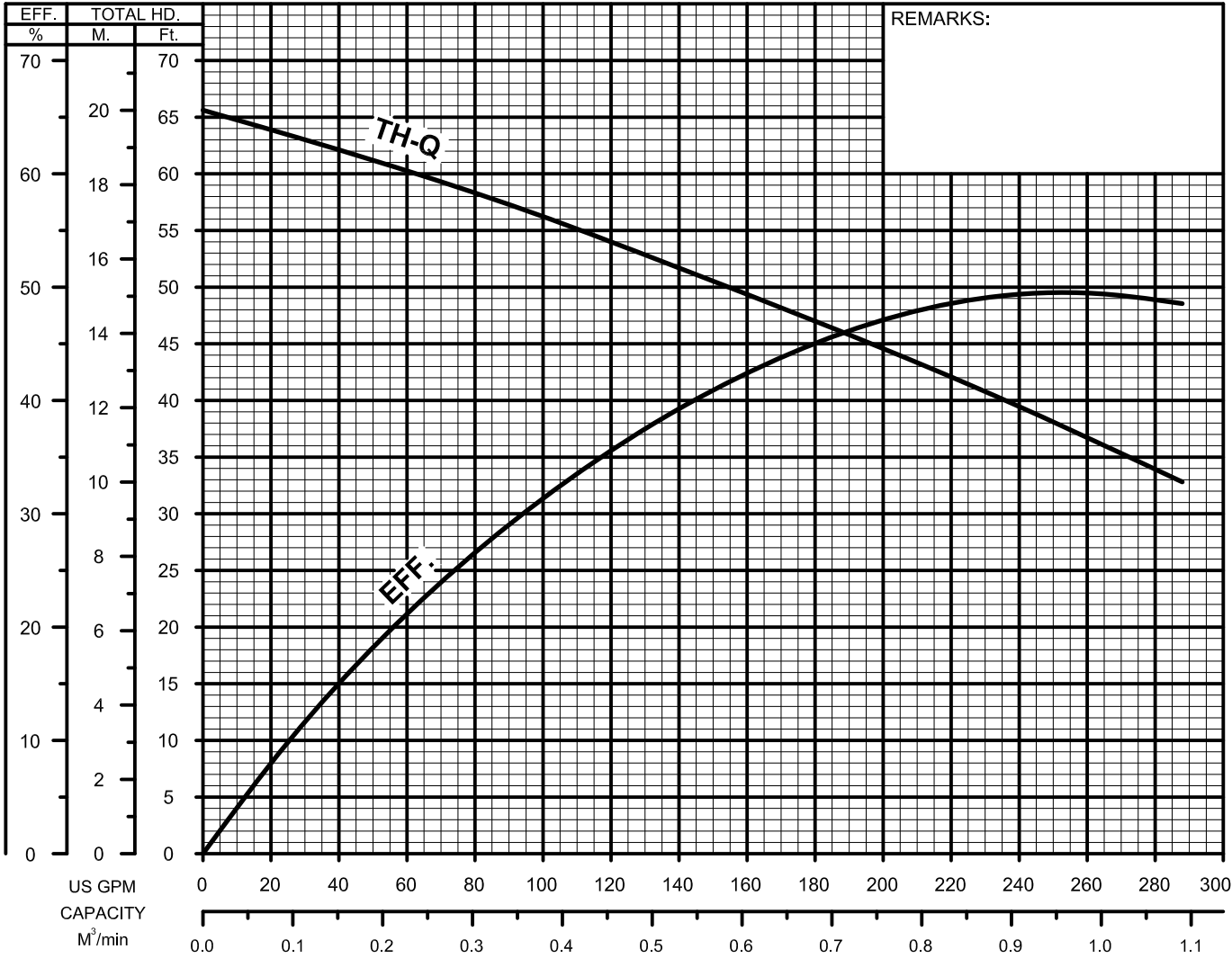
\*Excluding TOS & Cable.



**B-SERIES**  
**SEWAGE & WASTEWATER PUMPS**

**PERFORMANCE**  
**CURVE**

MODEL	BORE	HP	KW	RPM	SOLIDS DIA.	LIQUID	SG.	VISCOSITY	TEMP.
(TOS)100B43.7H -63	4"/100mm	5	3.7	1690	1.38"/35mm	Water	1.0	1.123cSt.	60°F
PUMP TYPE	PHASE	VOLTAGE	AMPERAGE	HZ	STARTING METHOD	INS.CLASS			
Sewage&Wastewater	3	230/460/575	13.8/6.9/5.4	60	Direct On Line	E			
CURVE No.	DATE	PHASE	VOLTAGE	AMPERAGE	HZ	STARTING METHOD	INS.CLASS		
-	-	-	-	-	-	-	-		

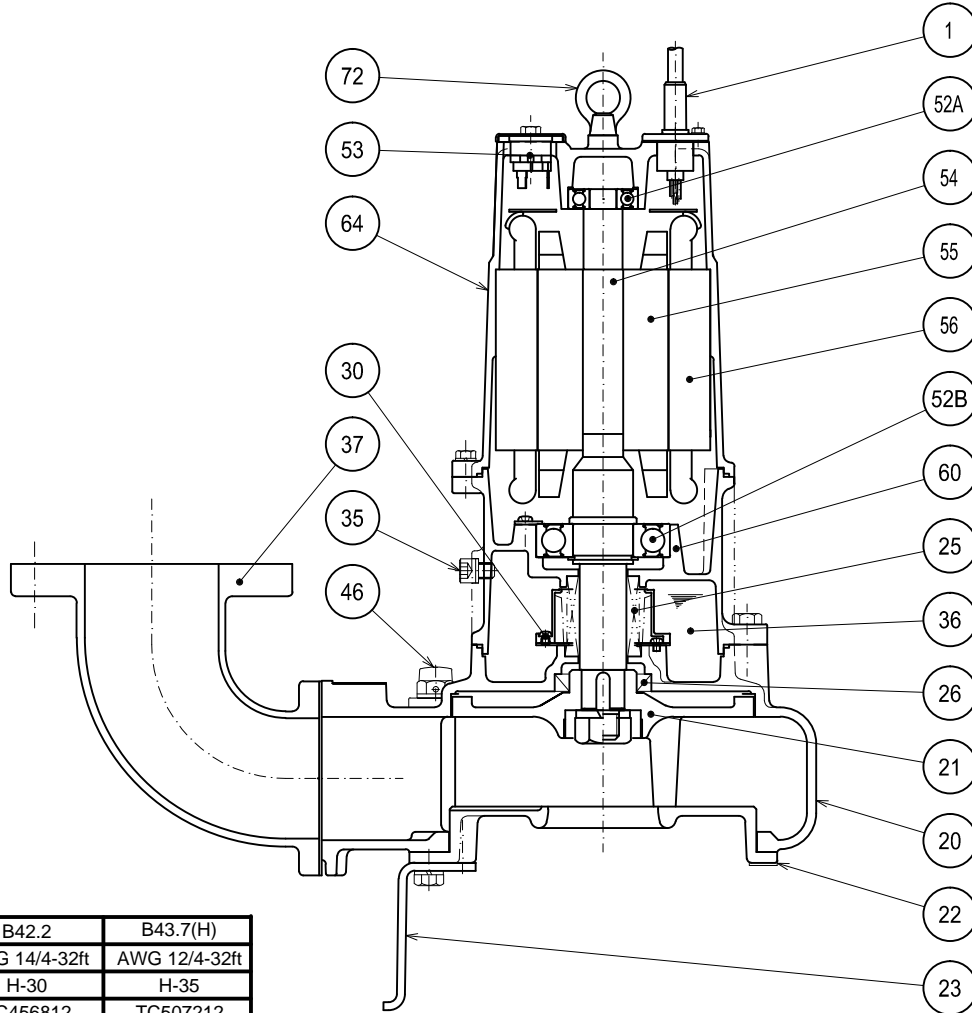




**B-SERIES  
SEWAGE & WASTEWATER PUMPS**

**SECTIONAL VIEW**

100B42.2 -62  
100B43.7 -62  
100B43.7H -63



	B42.2	B43.7(H)
* 1	AWG 14/4-32ft	AWG 12/4-32ft
* 2	H-30	H-35
* 3	TC456812	TC507212
* 4	#6307ZZC3	#6309ZZC3

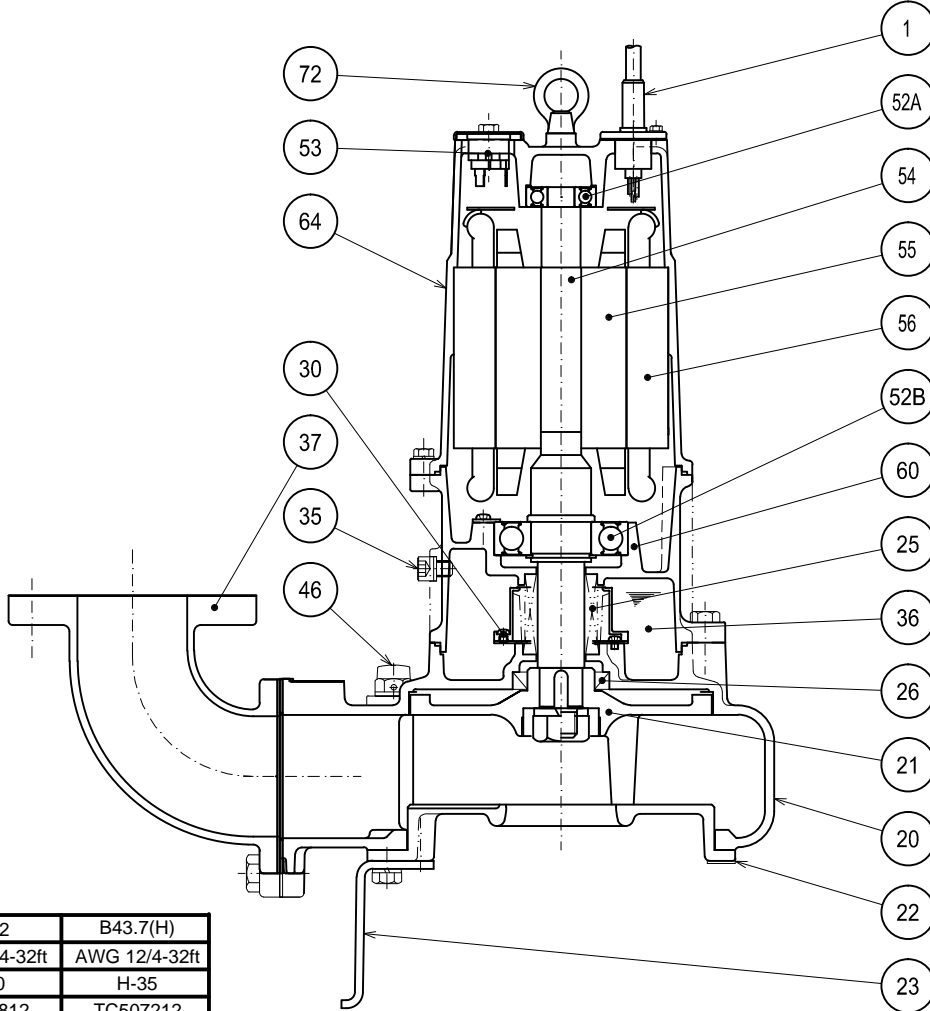
PART#	DESCRIPTION	MAIN MATERIAL / NOTE	RELATED ASTM,AISI CODE	RELATED EN CODE	QTY
1	Power Cable	PVC Sheath * 1			1
20	Pump Casing	Cast Iron	A48M Class30B	EN 1561 GJL-200	1
21	Impeller	Cast Iron	A48M Class30B	EN 1561 GJL-200	1
22	Suction Cover	Cast Iron	A48M Class30B	EN 1561 GJL-200	1
23	Pump Stand	Steel	A283 Grade D	EN 10025 S275	3
25	Mechanical Seal	Silicon Carbide / * 2			1
26	Oil Seal	NBR / * 3			1
30	Oil Lifter	PBT Resin W/GF40			1
35	Oil Plug	Stainless Steel	S 30400	1.4301	1
36	Lubricant	Turbine Oil ISO VG32 or SAE 10W-20			
37	Discharge Bend	Cast Iron / 3"ANSI Flange(150PSI)	A48M Class30B	EN 1561 GJL-200	1
46	Air Release Valve	Nylon			1
52A	Upper Bearing	AC-#6304ZZC3			1
52B	Lower Bearing	* 4			1
53	Motor Protector				1
54	Shaft	Stainless Steel	S 42000	1.4028	1
55	Rotor				1
56	Stator				1
60	Bearing Housing	Cast Iron	A48M Class25B	EN 1561 GJL-150	1
64	Motor Housing	Cast Iron	A48M Class25B	EN 1561 GJL-150	1
72	Lifting Lug Bolt	Stainless Steel	S 30400	1.4301	2



**B-SERIES  
SEWAGE & WASTEWATER PUMPS**

**SECTIONAL VIEW**

100B42.2 -62 (3"Dis.)  
100B43.7 -62 (3"Dis.)  
100B43.7H -63 (3"Dis.)



	B42.2	B43.7(H)
* 1	AWG 14/4-32ft	AWG 12/4-32ft
* 2	H-30	H-35
* 3	TC456812	TC507212
* 4	#6307ZZC3	#6309ZZC3

PART#	DESCRIPTION	MAIN MATERIAL / NOTE	RELATED ASTM,AISI CODE	RELATED EN CODE	QTY
1	Power Cable	PVC Sheath * 1			1
20	Pump Casing	Cast Iron	A48M Class30B	EN 1561 GJL-200	1
21	Impeller	Cast Iron	A48M Class30B	EN 1561 GJL-200	1
22	Suction Cover	Cast Iron	A48M Class30B	EN 1561 GJL-200	1
23	Pump Stand	Steel	A283 Grade D	EN 10025 S275	3
25	Mechanical Seal	Silicon Carbide / * 2			1
26	Oil Seal	NBR / * 3			1
30	Oil Lifter	PBT Resin W/GF40			1
35	Oil Plug	Stainless Steel	S 30400	1.4301	1
36	Lubricant	Turbine Oil ISO VG32 or SAE 10W-20			
37	Discharge Bend	Cast Iron / 3"ANSI Flange(150PSI)	A48M Class30B	EN 1561 GJL-200	1
46	Air Release Valve	Nylon			1
52A	Upper Bearing	AC-#6304ZZC3			1
52B	Lower Bearing	* 4			1
53	Motor Protector				1
54	Shaft	Stainless Steel	S 42000	1.4028	1
55	Rotor				1
56	Stator				1
60	Bearing Housing	Cast Iron	A48M Class25B	EN 1561 GJL-150	1
64	Motor Housing	Cast Iron	A48M Class25B	EN 1561 GJL-150	1
72	Lifting Lug Bolt	Stainless Steel	S 30400	1.4301	2

PARTS LIST		SEWAGE & WASTEWATER PUMP			4/9/2018	
ITEM	PART No.	DESCRIPTION	QTY	SIZE	MATERIAL	NOTES
1	001-150-25	Cabtyre Cable Set (32') 60Hz (USA)	1	VCT4Cx3.5mm2	BE/CE	
2	140-021-17	Hex.Bolt	3	M5x20	SUS304	
3	142-422-18	Seal Washer	3	PM-5	SUS+NBR	
4	003-111-20	Gland	1		SUS304	
5	009-275-18	Compression type Terminal	4	TGNB-5.5(Insulated)	CU	
6	072-100-20	Eye Bolt	2	M10	SUS304	
7	064-509-15	Motor Frame	1		FC	
8	140-055-10	Hex.Bolt	3	M8x25	SUS304	
9	142-163-18	Spring Washer	3	M8	SUS304	
10	142-196-10	Wave Washer	1	6205/6304	SK5	
11	052-188-17	Bearing (w/O-ring)	1	AC-6304ZZC3		
12	058-000-46	Lead Wire Protection Plate	1	d66xd148x1.6t	Bakelite	
13	056-596-14	Stator 230V-60Hz(USA)	1Set			
	056-002-47	Stator 460V-60Hz(USA)	1Set			
		Stator 575V-60Hz(USA)	1Set			
14	055-609-18	Rotor	1Set			
15	140-053-18	Hex.Bolt	2	M8x18	SUS304	
16	127-107-17	Protector Fixing Plate	1	22/37-BE2	SUS304	replaces OLD part# 127-195-12
17	121-446-13	Packing	1	22/37-BE2	NBR	*
18	053-358-13	Motor Protector 230V-60Hz(USA)	1	KA313-GCZL103	(H.C)	
	053-254-18	Motor Protector 460V-60Hz(USA)	1	KA313-GCXL103	(H.C)	
	053-357-12	Motor Protector 575V-60Hz(USA)	1	KA313-GBYL102	(H.C)	
19	143-087-23	Pan Screw (w/Spring Washer)	2	M4x10	SWRM	
20	141-004-59	Hex.Nut	1	M6	SWRM	
21	009-159-15	Terminal	1	R-2-6	CU	
22	129-003-18	Stopper	1	M6x160(11/20)	SS	
23	147-066-15	Impeller Key	1	10x8x22L	SUS420	
24	143-042-13	Pan Screw	3	M6x10	SWRM	
25	062-196-19	Bearing Fixing Washer	3	d8xd20.5x2.3t	SS	
26	052-112-10	Bearing	1	6309ZZC3		
27	146-027-11	Retaining Ring	1	C45	SK5	
28	122-333-19	O-Ring	1	170xd3.1	NBR	*
29	060-375-18	Bearing Housing	1		FC	
30	140-098-15	Hex.Bolt	3	M12x35	SUS304	
31	143-070-23	Pan Screw	2	M5x6	SWRM	
32	030-156-18	Oil Lifter	1	H-35(A)(T)	Resin	
33	143-070-10	Pan Screw	3	M5x6	SWRM	
34	030-150-12	Seal Stopper	1	H-35(A)(T)	SPCC	

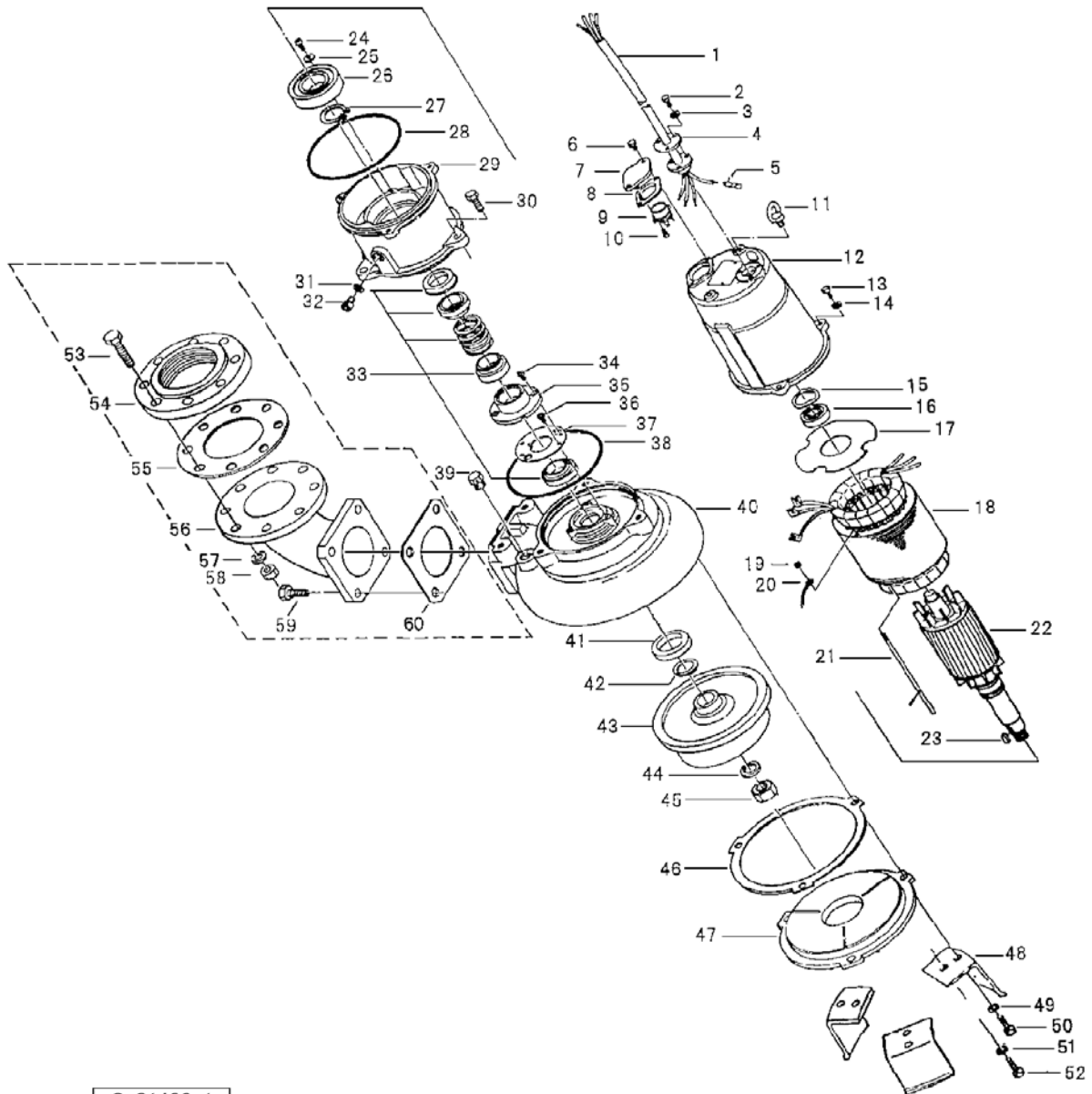


PARTS LIST		SEWAGE & WASTEWATER PUMP				4/9/2018
ITEM	PART No.	DESCRIPTION	QTY	SIZE	MATERIAL	NOTES
35	122-246-14	O-Ring	1	180xd3.1	NBR	*
36	020-594-11	Pump Casing	1	80B43.7H-52/62	FC	
37	023-469-15	Pump Stand	3	22/37-BE3	SPHC	
38	142-165-10	Spring Washer	3	M12	SUS304	
39	140-098-15	Hex.Bolt	3	M12x35	SUS304	
40	142-163-18	Spring Washer	3	M8	SUS304	
41	140-054-19	Hex.Bolt	3	M8x20	SUS304	
42	121-247-12	Packing	1	d12.3xd18x2t	PE	*
43	035-113-18	Oil Plug	1	M12x14	SUS304	
44	025-195-13	Mechanical Seal	1	H-35	SiC	
45	046-107-13	Air Release Valve	1	PT-1/2	Nylon	
46	026-143-19	Oil Seal	1	TC-507212	NBR	
47	040-113-14	Impeller Shim		d32.5xd48x0.3t	SUS304	
48	021-005-82	Impeller (60Hz)	1	100B43.7H-63	FC	
49	142-170-18	Spring Washer	1	M24	SUS304	
50	141-011-17	Hex.Nut	1	M24	SUS304	
51	120-141-12	Packing		d256xd287x0.5t	PE	
52	022-739-16	Suction Cover	1	80B43.7H-52/62	FC	
53	140-000-56	Hex.Bolt	8	M16x75	SWRM	included in BEND80x100 kit (specify ANSI or NPT)
54	048-139-10	Screwed Flange	1	NPT-4(JIS10K)	FC	included in BEND80x100 kit (specify ANSI or NPT)
55	121-106-34	Packing	1	JIS10Kx100mm	NR	included in BEND80x100 kit (specify ANSI or NPT)
56	037-170-19	Discharge Bend	1	80x100mm	FC	included in BEND80x100 kit (specify ANSI or NPT)
57	142-166-37	Spring Washer	8	M16	SWRH	included in BEND80x100 kit (specify ANSI or NPT)
58	141-008-11	Hex.Nut	8	M16	SUS304	included in BEND80x100 kit (specify ANSI or NPT)
59	140-124-11	Hex.Bolt	4	M16x40	SUS304	included in BEND80x100 kit (specify ANSI or NPT)
60	121-152-19	Packing	1	145mm2(P.C.145)	NBR	* included in BEND80x100 kit (specify ANSI or NPT)
	173-444-12	<b>Packing O-Ring Set</b>	1Set	(Marked by *)		
17	121-446-13	Packing (Protector Fixing Plate)	1	22/37-BE2	NBR	*
28	122-333-19	O-Ring (M.Frame/Brg.Housing)	1	170xd3.1	NBR	*
35	122-246-14	O-Ring (Brg.Housing/P.Casing)	1	180xd3.1	NBR	*
42	121-247-12	Packing (Oil Plug)	1	d12.3xd18x2t	PE	*
60	121-152-19	Packing (Discharge Bend)	1	145mm2(P.C.145)	NBR	*
		Lubricant		Turbine Oil VG32 1,250ml		

PARTS LIST		SEWAGE & WASTEWATER PUMP				4/9/2018
ITEM	PART No.	DESCRIPTION	QTY	SIZE	MATERIAL	NOTES

## EXPLODED VIEW

100B43.7H-63



C-01486-1